

# SONANCE

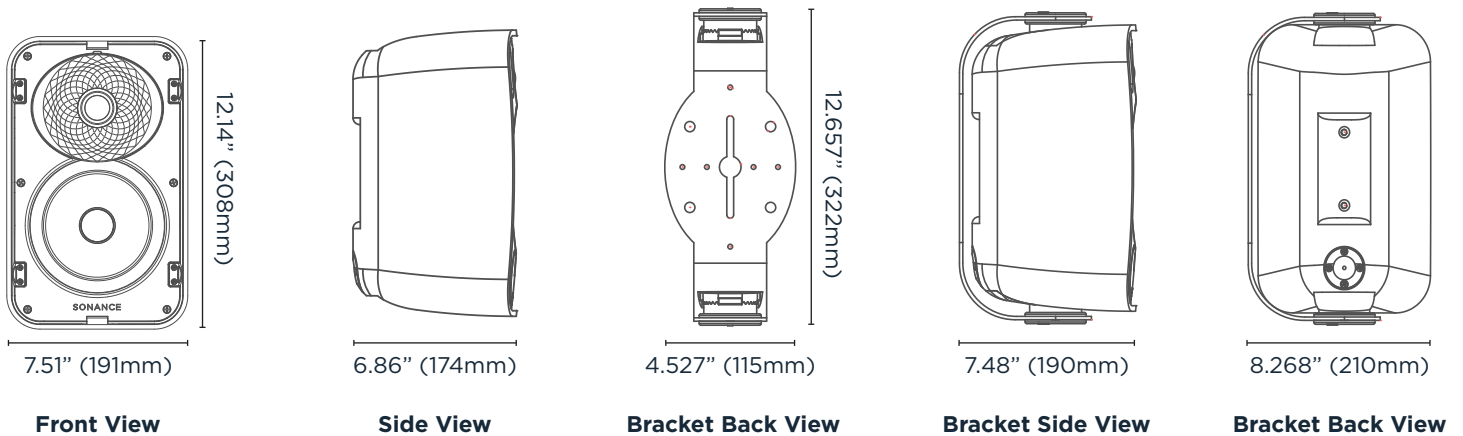
## MARINER MX DATA SHEET

### MX66

#### TECHNICAL SPECIFICATIONS

SKU	<b>MX66</b> 93611 - White   93610 - Black
UOM	Pair
Tweeter	1" (25mm) ceramic dome, Ferrofluid-cooled, acoustic back chamber
Woofers	6.5" (165mm) Kevlar / Nomex cone, rubber surround
Dispersion Technology	Sinusoidal Textured Waveguide
Frequency Response	50Hz-20Hz +/-3dB
Impedance	8 ohms nominal; 6 ohms minimum
Power Handling	5 Watts minimum; 140 Watts maximum
Sensitivity	90dB SPL (2.83V/1 meter)
Environmental	Mill Spec 810 for humidity, salt spray, temperature, UV; IP66 waterproof rating
Environmental Temp	-13° - 149°F (-25°C - 65°C)
Grille Material	Perforated aluminum
Dimensions (WxHxD)	7.51" x 12.14" x 6.86" (191mm x 308mm x 174mm)
Shipping Weight	17 lbs (7.7 kg) pair

#### DIMENSIONAL DRAWINGS



**LIMITED FIVE (5) YEAR WARRANTY** Sonance warrants to the first end-user purchaser that this Sonance-brand product ("Product"), when purchased from an authorized Sonance Dealer/Distributor, will be free from defective workmanship and materials for the period stated above. Sonance will at its option and expense during the warranty period, either repair the defect or replace the Product with a new or remanufactured Product or a reasonable equivalent. For more details please refer to the product manual.

©2024 Sonance. All rights reserved. Sonance is a registered trademarks of Dana Innovations. Due to continuous product improvement, all features and specifications are subject to change without notice. For the latest Sonance product specification information visit our website at [www.sonance.com](http://www.sonance.com).

SONANCE • 991 Calle Amanecer • San Clemente, CA 92673 USA • Phone: (949) 492-7777 • Fax: (949) 361-5151 • Technical Support: (949) 492-7777 • [www.sonance.com](http://www.sonance.com) 06.07.2024